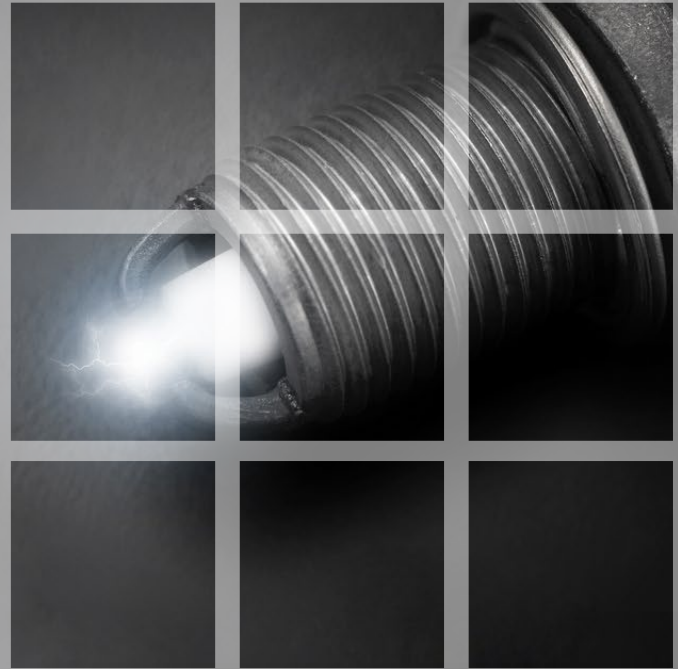


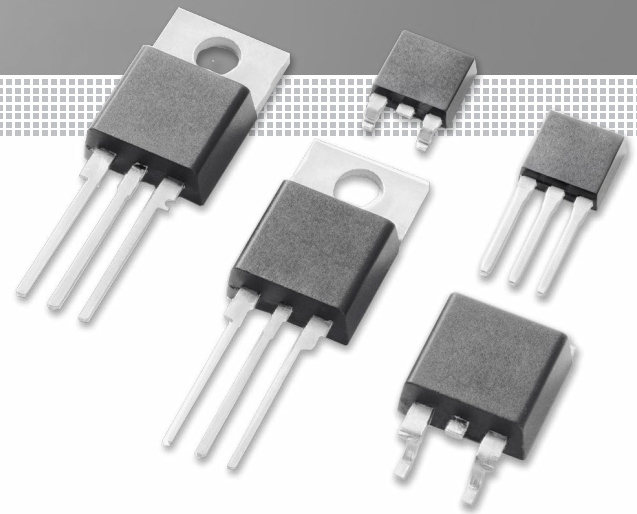
CHOOSE WIDER MARGINS TODAY OR SMALLER HEAT SINKS FOR TOMORROW'S DESIGNS



Robust Clip-Attach Package Design Withstands High Surges in Your Choice of Five Packages

Tolerates insufficient cooling and higher inrush currents at startup and are offered in TO-252, TO-251, TO-263, TO-220AB and internally isolated TO-220 Iso

The SJ series high temperature SCR has high junction temperature (T_J) of 150°C and offers blocking voltage (V_{DRM}) up to 600V, wide variety of current rating from 4A up to 40A to support wide range of applications. Variety of gate trigger current (IGT) is offered, 0.2mA in sensitive gate SCR and between 6 and 40mA in standard gate SCR.



Target Application:

- Motorcycles
- ATVs
- Small gasoline engines
- Gasoline/gas-electric generators
- Furnaces
- LED lighting
- Battery chargers
- DC motor controls
- Soft starter for AC motors



Widest Selection in 600V SCR of Current, Gate Trigger Level And Packages.

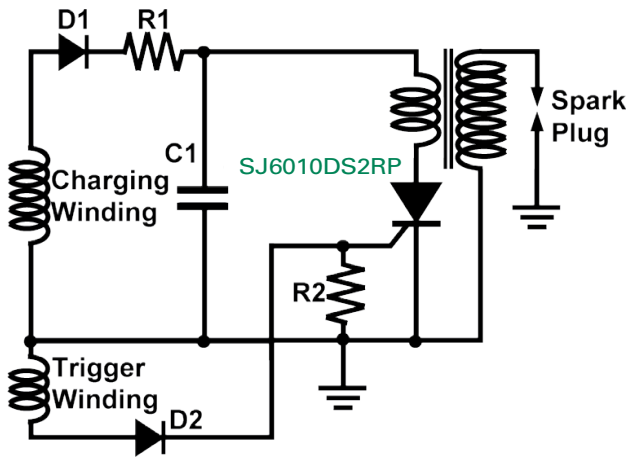
Features:

- High junction temperature (T_J) of 150°C
- Wide package selection
- High surge capability of clip-attach package design

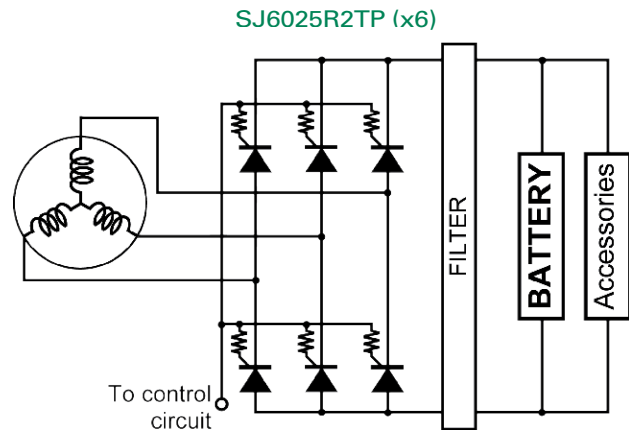
Benefits:

- Wider operating margin in existing designs, smaller heat sinks in new designs
- Simplifies selecting the best package for the application
- Tolerates high inrush current and harsh operating conditions

Motorcycle & Small Engine CDI Application Diagram



Rectifier and Voltage Regulator for Gasoline Engines



Product Selection Overview:

Series	V_{DRM} (V)	$I_{T(RMS)}$ (A)	T_J MAX (°C)	I_{GT} MAX Spec Options (mA)								Package Options					
				0.2	6	10	15	20	30	35	40	TO-251	TO-252	TO-220AB	TO-220 Iso	TO-263	
SJxx04xxx	400	4	150	x									x	x			
	600																
SJxx06xxx	400	6	150	x	x		x						x	x			
	600																
SJxx08xxx	400	8	150	x	x		x						x	x			
	600																
SJxx10xxx	400	10	150	x	x		x						x	x			
	600																
SJxx12xx	400	12	150		x	x		x					x	x	x	x	x
	600																
SJxx16xx	400	16	150		x	x				x					x	x	x
	600																
SJxx20xx	400	20	150		x	x					x				x	x	x
	600																
SJxx25xx	400	25	150		x	x					x				x	x	x
	600																
SJxx32xx	400	32	150				x					x			x	x	x
	600																
SJxx40xx	400	40	150				x					x			x	x	x
	600																