

MCP6411 1 MHz Operational Amplifier With EMI Filtering

General Information

The MCP6411 is a single general purpose op amp offering integrated EMI Protection and rail-to-rail input/output over the 1.7 to 5.5V operating range. This amplifier has a typical GBWP of 1 MHz with typical quiescent current of 50 μ A. The MCP6411 is available in SC-70 and SOT-23 packages. The MCP6411 has enhanced EMI protection to minimize any electromagnetic interference from external source. This feature makes it well suited for EMI sensitive applications such as power lines, radio stations and mobile communications.



Features

- Low quiescent current: 47 μ A (typical)
- Low input offset voltage: \pm 1.0 mV (maximum)
- Enhanced EMI protection:
 - EMIRR 97 dB at 1.8 GHz
- Supply voltage range: 1.7V to 5.5V
- Gain bandwidth product: 1 MHz (typical)
- Rail-to-rail input/output
- Slew rate: 0.5 V/ μ s (typical)
- Unity gain stable
- No phase reversal
- Small packages: SC70-5, SOT-23-5
- Extended temperature range: -40° C to $+125^{\circ}$ C

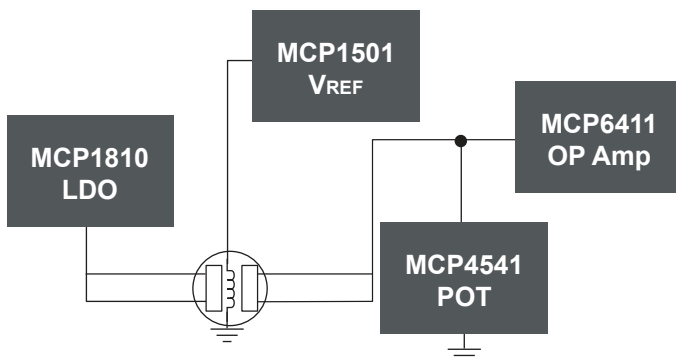
Applications

- Medical instrumentation
- Automotive electronics
- Battery powered equipment
 - Remotes, IoT devices, gaming consoles

Benefits

- Low offset voltage results in less error and accurate amplification of signals
- Integrated EMI protection optimizes performance without external components
- Small packaging lowers system cost with lower PCB footprint

CO Gas Sensor



The Microchip name and logo and the Microchip logo are registered trademarks of Microchip Technology Incorporated in the U.S.A. and other countries. All other trademarks mentioned herein are property of their respective companies.

© 2018, Microchip Technology Incorporated. All Rights Reserved. 11/18

DS20006113A