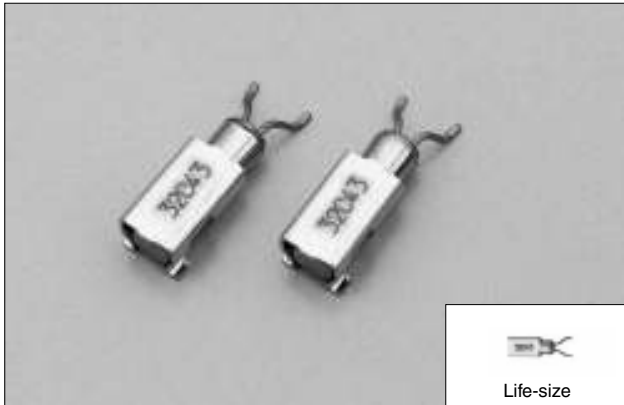


TUNING FORK CRYSTAL UNIT (SMD • Jacket Type)

RoHS compliant / Pb free

CMJ206T

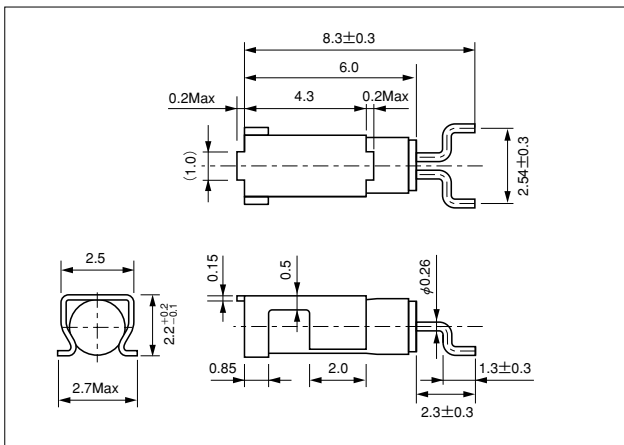
3000pcs/reel



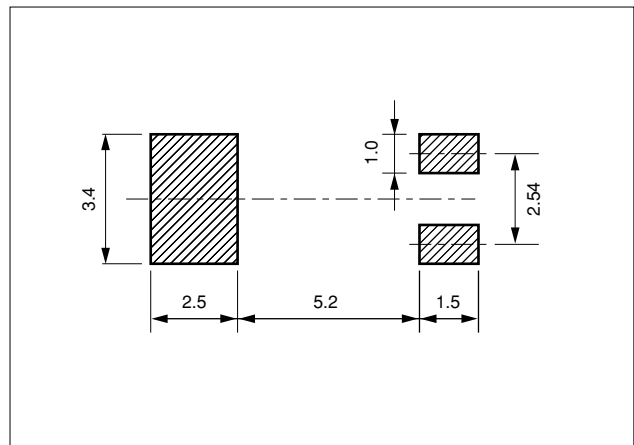
FEATURES

- High-density mounting SMD with jacket.
- Most appropriate for clock source for portable and other various equipment with low power consumption.

DIMENSION [mm]



SOLDER PAD LAYOUT [mm]



STANDARD SPECIFICATIONS

Item	Model	CMJ206T	Conditions
Nominal Frequency	f ₀	32.768kHz	
Frequency Tolerance	Δ f/f ₀	±20ppm	at 25°C
Load capacitance	C _L	12.5pF	Need to specify your requirement
Operating Temperature Range	T _{OPR}	-40°C ~ +85°C	
Storage Temperature Range	T _{STR}	-55°C ~ +125°C	
Turnover Temperature	T _M	25°C ±5°C	
Temperature Coefficient	β	-0.034 ± 0.006ppm/°C ²	
Motional (series) resistance	R ₁	50K Ω Max.	at 25°C
Level of drive	DL	1 μW Max.	
Aging (first year)	Δ f/f ₀	±3ppm Max.	25°C ±3°C
Shunt capacitance	C ₀	1.35pF Typ.	