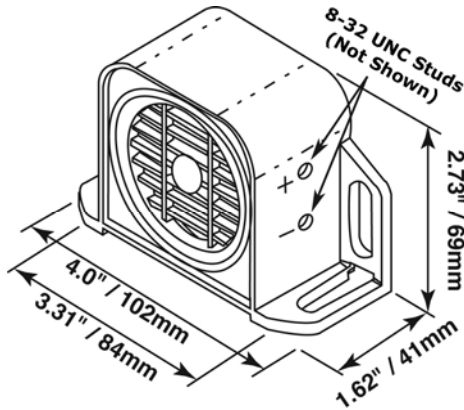




MALLORY SONALERT PRODUCTS, INC.

# Product APPLICATION Guide

## NEW Mallory Back-up Alarm Models

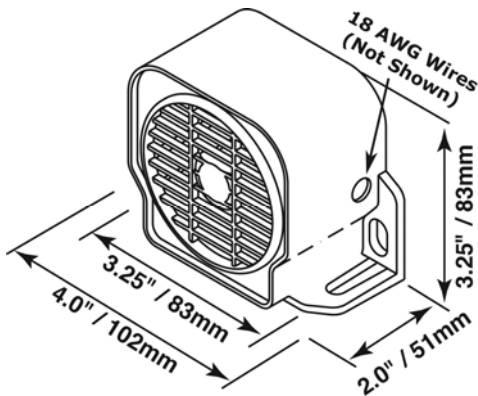


**STA20302**  
**STA20502**  
**Features**



- < 0.6 Average Amp Draw
- Polarity Protected
- Spike Protected: +100 / -400 Volts
- UL Recognized; CE Certified
- 8-32 UNC Stud Terminations

Model Number	Voltage Range	Sound Level (dB) @ 4 ft	SAE J994 Type	Cross Reference List	
				ECCO P/N	PRECO P/N
STA20302	12 to 24 Vdc	87 dB	D	505	225
STA20502	12 to 24 Vdc	97 dB	C	510 & 520	240



**STA22702W**  
**Features**

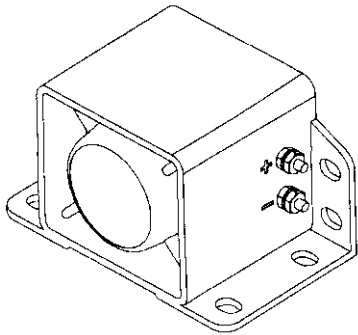


- < 0.8 Average Amp Draw
- Polarity Protected
- Spike Protected: +100 / -400 Volts
- UL Recognized; CE Certified
- 18 AWG; 10.5" Wire Terminations

Model Number	Voltage Range	Sound Level (dB) @ 4 ft	SAE J994 Type	Cross Reference List	
				ECCO P/N	PRECO P/N
STA22702W	12 to 24 Vdc	107 dB	B	575	270

Continued

# NEW Back-up Alarm Models (Con't)



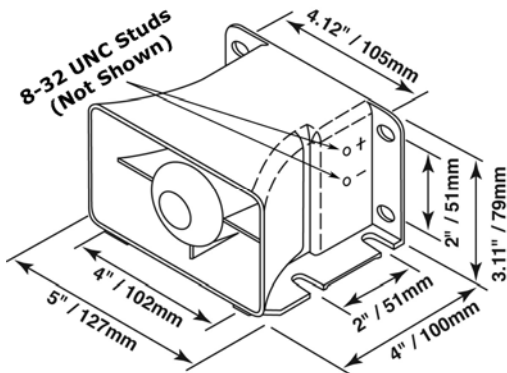
## STA30264A

### Features

- < 0.6 Average Amp Draw
- Polarity Protected
- Spike Protected: +100 / -400 Volts
- UL Recognized; CE Certified
- 8-32 UNC Stud Terminations

**NEW**

Model Number	Voltage Range	Sound Level (dB) @ 4 ft	SAE J994 Type	Cross Reference List	
				ECCO P/N	PRECO P/N
STA30264A	12 to 48 Vdc	82 to 102 dB (Self Adjusting)	None	SA931	1048



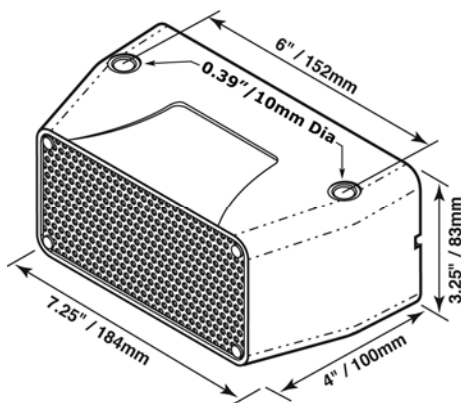
## STA35802

### Features

- < 0.8 Average Amp Draw
- Polarity Protected
- Spike Protected: +100 / -400 Volts
- UL Recognized; CE Certified
- 8-32 UNC Stud Terminations

**NEW**

Model Number	Voltage Range	Sound Level (dB) @ 4 ft	SAE J994 Type	Cross Reference List	
				ECCO P/N	PRECO P/N
STA35802	12 to 24 Vdc	112 dB	A	850	380



## STA40802

### Features

- < 0.8 Average Amp Draw
- Polarity Protected
- Spike Protected: +100 / -400 Volts
- UL Recognized; CE Certified
- 8-32 UNC Stud Terminations

**NEW**

Model Number	Voltage Range	Sound Level (dB) @ 4 ft	SAE J994 Type	Cross Reference List	
				ECCO P/N	PRECO P/N
STA40802	12 to 24 Vdc	112 dB	A	787	110