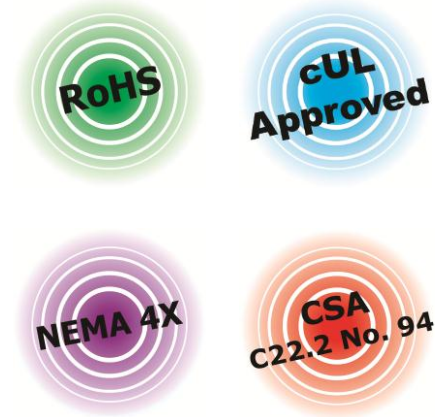
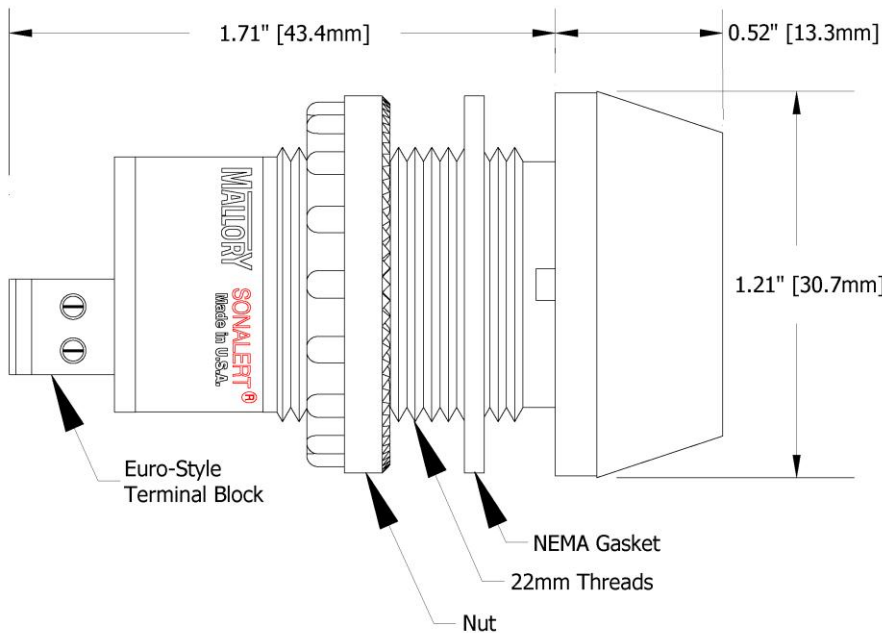


MALLORY

MALLORY SONALERT PRODUCTS, INC.

Product APPLICATION Guide

22mm Panel Alarms with Terminal Block Four Distinctive Pulsing & Timing Tones



KEY FEATURES:

- Fits Standard 22.5 mm Panel Hole
- Voltages from 6 Vdc to 120 Vac
- Sound Levels up to 95 dB @ 2 ft.
- cUL Approved; RoHS Compliant
- NEMA 3R/4X/12; IP-66
- CSA C22.2 No. 94
- Terminal Block Termination:
 - Finger Proof Safe Handling
 - Prevents Shock & Shorting
 - Saves Assembly Time & Labor

Continued →

Sound Descriptions

- 10 Sec. Delay: Wait 10 seconds before issuing continuous tone
- Short Pulse Tone: 1 beep per second (on for 0.1 sec / off for 0.9 sec)
- 1 Min. On-Time: Issue continuous tone for 1 minute and then turn-off
- Fast Speed-up: Over 30 sec's, speed up from 1 beep per 2 sec's to 8 beeps per sec

Part Number Structure

ZA 016 L D DL1

Series: **ZA** = 22mm

Maximum Voltage:

016 = 6 - 16; **028** = 16 - 28; **048** = 28 - 48; **120** = 48 - 120

Sound Level:

L = Loud (85 - 95 dB @ 2 ft); **M** = Medium (75 - 85 dB @ 2 ft)

S = Soft (65 - 75 dB @ 2 ft)

Voltage Type: **D** = DC Only; **A** = AC or DC

Function:

DL1 = 10 Sec. Delay; **PS1** = Short Pulse Tone;

SS1 = 1 Min. on-Time; **SU2** = Fast Speed-Up

Selection Guide

		SOUND LEVEL (dB @ 2 feet)			Tone Type	
		Soft 65 to 75 dB	Medium 75 to 85 dB	Loud 85 to 95 dB		
VOLTAGE RANGE	DC Only	6 to 16 Vdc	ZA016SDDL1	ZA016MDDL1	ZA016LDDL1	10 Sec. Delay
			ZA016SDPS1	ZA016MDPS1	ZA016LDPS1	Short Pulse
			ZA016SDSS1	ZA016MDSS1	ZA016LDSS1	1 Min. On-Time
			ZA016SDSU2	ZA016MDSU2	ZA016LDSU2	Fast Speed-up
	16 to 28 Vdc	ZA028SDDL1	ZA028MDDL1	ZA028LDDL1	10 Sec. Delay	
		ZA028SDPS1	ZA028MDPS1	ZA028LDPS1	Short Pulse	
		ZA028SDSS1	ZA028MDSS1	ZA028LDSS1	1 Min. On-Time	
		ZA028SDSU2	ZA028MDSU2	ZA028LDSU2	Fast Speed-up	
	AC OR DC	16 to 28 Vac/dc	ZA028SADL1	ZA028MADL1	ZA028LADL1	10 Sec. Delay
			ZA028SAPS1	ZA028MAPS1	ZA028LAPS1	Short Pulse
			ZA028SASS1	ZA028MASS1	ZA028LASS1	1 Min. On-Time
			ZA028SASU2	ZA028MASU2	ZA028LASU2	Fast Speed-up
28 to 48 Vac/dc		ZA048SADL1	ZA048MADL1	ZA048LADL1	10 Sec. Delay	
		ZA048SAPS1	ZA048MAPS1	ZA048LAPS1	Short Pulse	
		ZA048SASS1	ZA048MASS1	ZA048LASS1	1 Min. On-Time	
		ZA048SASU2	ZA048MASU2	ZA048LASU2	Fast Speed-up	
48 to 120 Vac/dc	ZA120SADL1	ZA120MADL1	ZA120LADL1	10 Sec. Delay		
	ZA120SAPS1	ZA120MAPS1	ZA120LAPS1	Short Pulse		
	ZA120SASS1	ZA120MASS1	ZA120LASS1	1 Min. On-Time		
	ZA120SASU2	ZA120MASU2	ZA120LASU2	Fast Speed-up		

Call 317-612-1000 or Visit www.mallory-sonalert.com for More Details